

Whitpain Township


STANDARD UNDERGROUND INFILTRATION FACILITY

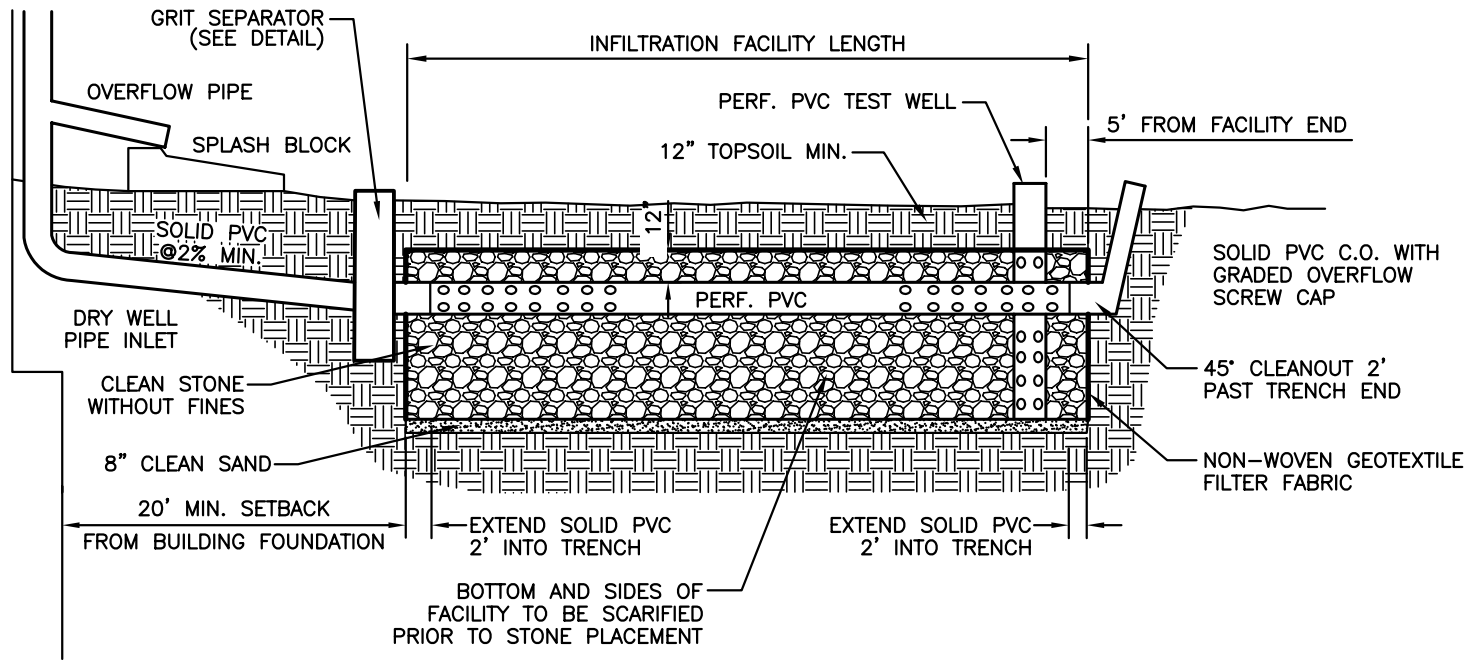
PROFILE DETAIL

STONE STRUCTURE

DATE: JULY 2005

DETAIL: 1 OF 4


ARRPC
ARRCO Consulting, Inc.
 270 Granite Run Drive
 Lancaster, Pennsylvania 17601
 Tel 717.569.7021

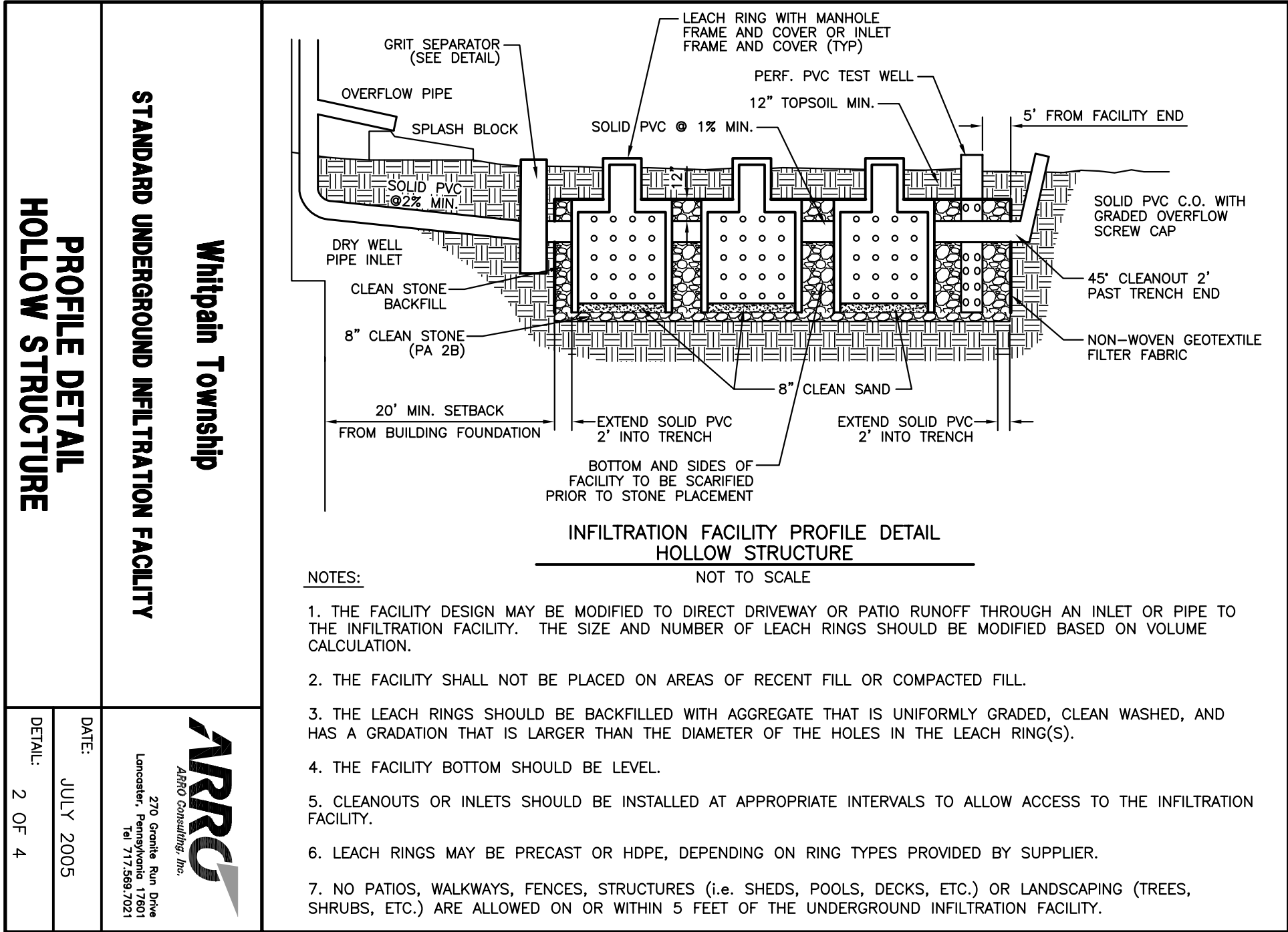


INFILTRATION FACILITY PROFILE DETAIL
STONE STRUCTURE

NOT TO SCALE

NOTES:

1. THE FACILITY DESIGN MAY BE MODIFIED TO DIRECT DRIVEWAY OR PATIO RUNOFF THROUGH AN INLET OR PIPE TO THE INFILTRATION FACILITY.
2. THE FACILITY SHALL NOT BE PLACED ON AREAS OF RECENT FILL OR COMPACTED FILL.
3. THE FACILITY MUST BE FILLED WITH AGGREGATE THAT IS UNIFORMLY GRADED, CLEAN WASHED, AND CONTAINS AT LEAST 40% VOID SPACE, SUCH AS AASHTO NO. 3, WHICH RANGES 1.5 – 2.5 INCHES IN GRADATION.
4. THE FACILITY BOTTOM SHOULD BE LEVEL.
5. CLEANOUTS OR INLETS SHOULD BE INSTALLED AT APPROPRIATE INTERVALS TO ALLOW ACCESS TO THE PERFORATED PIPING NETWORK.
6. NO PATIOS, WALKWAYS, FENCES, STRUCTURES (i.e. SHEDS, POOLS, DECKS, ETC.) OR LANDSCAPING (TREES, SHRUBS, ETC.) ARE ALLOWED ON OR WITHIN 5 FEET OF THE UNDERGROUND INFILTRATION FACILITY.



NOTES:

NOT TO SCALE

1. THE FACILITY DESIGN MAY BE MODIFIED TO DIRECT DRIVEWAY OR PATIO RUNOFF THROUGH AN INLET OR PIPE TO THE INFILTRATION FACILITY. THE SIZE AND NUMBER OF LEACH RINGS SHOULD BE MODIFIED BASED ON VOLUME CALCULATION.
2. THE FACILITY SHALL NOT BE PLACED ON AREAS OF RECENT FILL OR COMPACTED FILL.
3. THE LEACH RINGS SHOULD BE BACKFILLED WITH AGGREGATE THAT IS UNIFORMLY GRADED, CLEAN WASHED, AND HAS A GRADATION THAT IS LARGER THAN THE DIAMETER OF THE HOLES IN THE LEACH RING(S).
4. THE FACILITY BOTTOM SHOULD BE LEVEL.
5. CLEANOUTS OR INLETS SHOULD BE INSTALLED AT APPROPRIATE INTERVALS TO ALLOW ACCESS TO THE INFILTRATION FACILITY.
6. LEACH RINGS MAY BE PRECAST OR HDPE, DEPENDING ON RING TYPES PROVIDED BY SUPPLIER.
7. NO PATIOS, WALKWAYS, FENCES, STRUCTURES (i.e. SHEDS, POOLS, DECKS, ETC.) OR LANDSCAPING (TREES, SHRUBS, ETC.) ARE ALLOWED ON OR WITHIN 5 FEET OF THE UNDERGROUND INFILTRATION FACILITY.

**PROFILE DETAIL
HOLLOW STRUCTURE**

STANDARD UNDERGROUND INFILTRATION FACILITY

Whitpain Township



270 Granite Run Drive
Lancaster, Pennsylvania 17601
Tel 717.569.7021

DATE:

JULY 2005

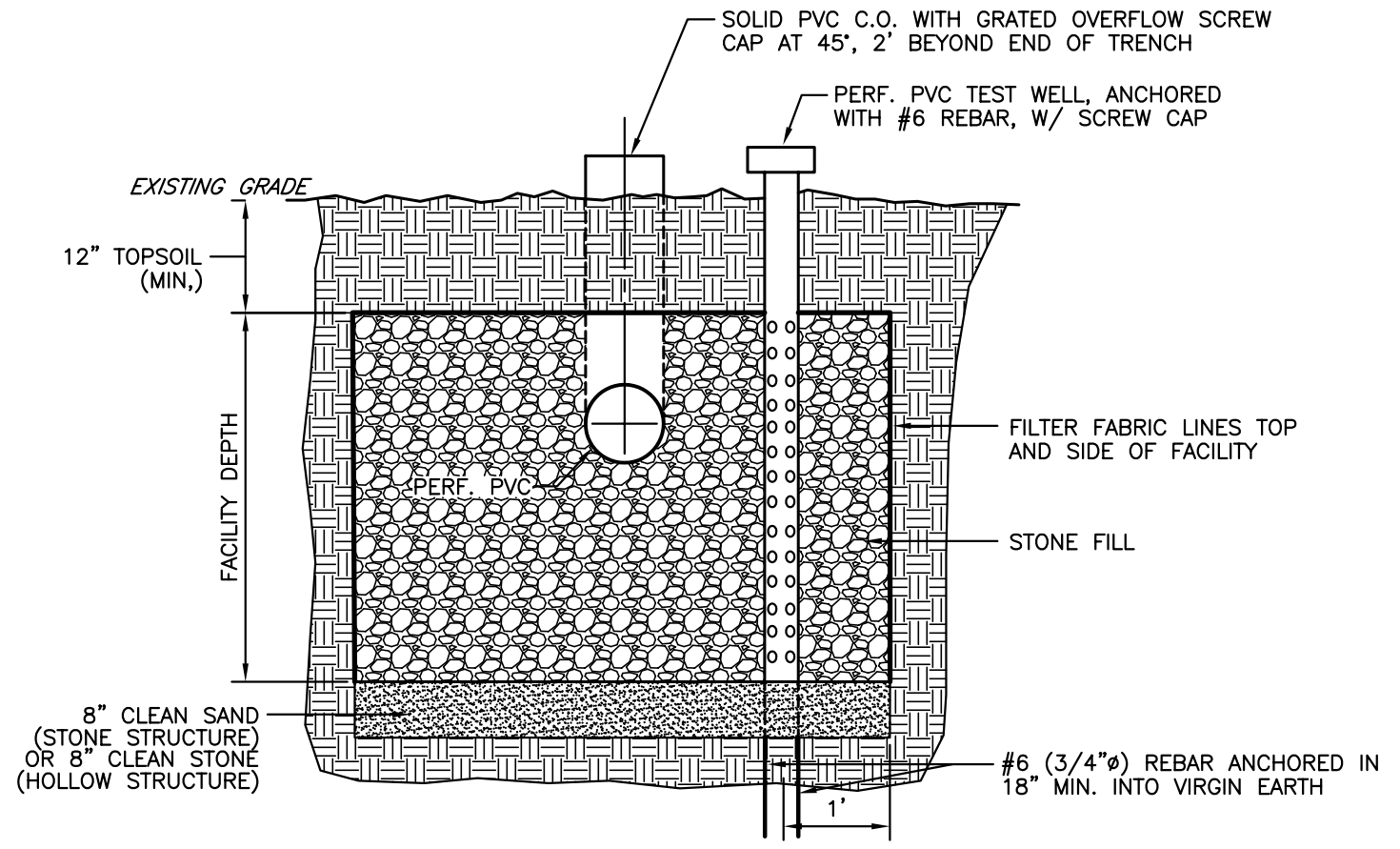
DETAIL:

2 OF 4

Whitpain Township

STANDARD UNDERGROUND INFILTRATION FACILITY

CROSS SECTION DETAIL



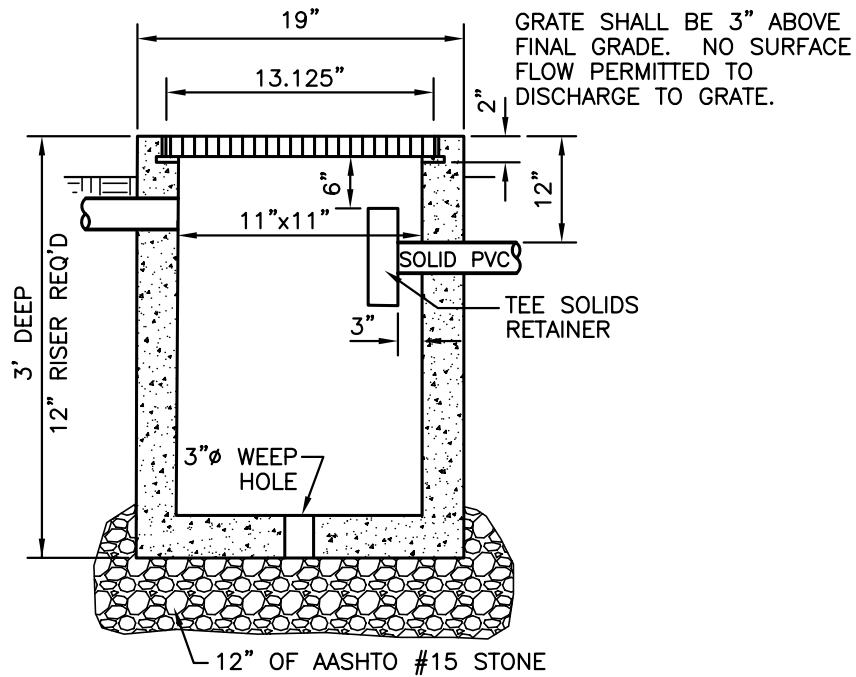
**INFILTRATION FACILITY
CROSS-SECTION DETAIL**

NOT TO SCALE

NOTE:

1. NO PATIOS, WALKWAYS, FENCES, STRUCTURES (i.e. SHEDS, POOLS, DECKS, ETC.) OR LANDSCAPING (TREES, SHRUBS, ETC.) ARE ALLOWED ON OR WITHIN 5 FEET OF THE UNDERGROUND INFILTRATION FACILITY.

<p>DATE: JULY 2005</p> <p>DETAIL: 3 OF 4</p>	<p style="text-align: center;">ARRCO ARRCO Consulting, Inc.</p> <p style="text-align: center;">270 Granite Run Drive Lancaster, Pennsylvania 17601 Tel 717.569.7021</p>
----------------------------------------------	--------------------------------------------------------------------------------------------------------------------------------------------------------------------------------------------



**GRIT SEPARATOR
 PRECAST 12"x12" CONCRETE CATCH BASIN
 WITH INLET TOP**

NOT TO SCALE

NOTES:

1. HDPE CATCH BASIN OR PIPE MAY BE USED INSTEAD OF PRECAST CONCRETE CATCH BASIN.
2. GRIT SEPARATOR MAY BE CAPPED.
3. NO PATIOS, WALKWAYS, FENCES, STRUCTURES (i.e. SHEDS, POOLS, DECKS, ETC.) OR LANDSCAPING (TREES, SHRUBS, ETC.) ARE ALLOWED ON OR WITHIN 5 FEET OF THE UNDERGROUND INFILTRATION FACILITY.

Dwg. Name: 06209390.DWG Last Revised: 07/20/05 13:52

Whitpain Township

STANDARD UNDERGROUND INFILTRATION FACILITY



270 Granite Run Drive
 Lancaster, Pennsylvania 17601
 Tel 717.569.7021

GRIT SEPARATOR

DATE:
 JULY 2005

DETAIL:
 4 OF 4